

**Recommendations & Precaution - Prior to Assembly Completely Read Instructions**

Unpack, inspect and identify all components and assembly materials. Assemble on a flat, soft level surface to avoid marring the wood. We advise using the shipping box top as a convenient assembly surface. If marked, match all joints with the corresponding letters or numbers on each furniture piece. Tighten hardware evenly and do not over tighten. Over tightening nuts may cause damage to the joints and void warranty.

**Components**

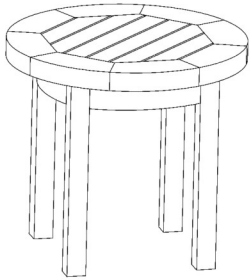
- 1. Table Top (A) - Qty 1
- 2. Table Leg (B) - Qty 4

**Assembly Materials**

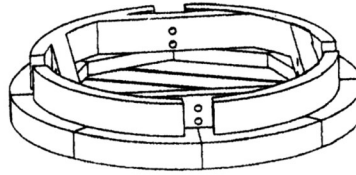
- 1. Flat Washer (#1) - Qty 8
- 2. Lock Washer (#2) - Qty 8
- 3. Nut (#3) - Qty 8

**Tools Included**

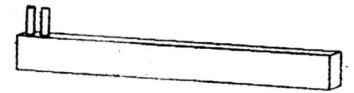
- 1. Wrench



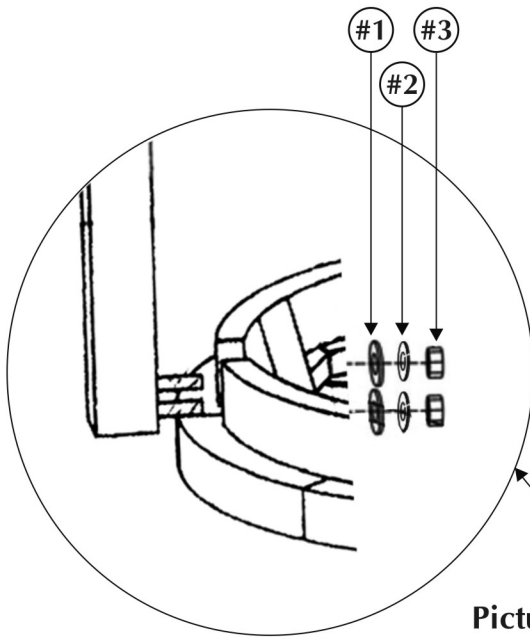
Fully Assembled



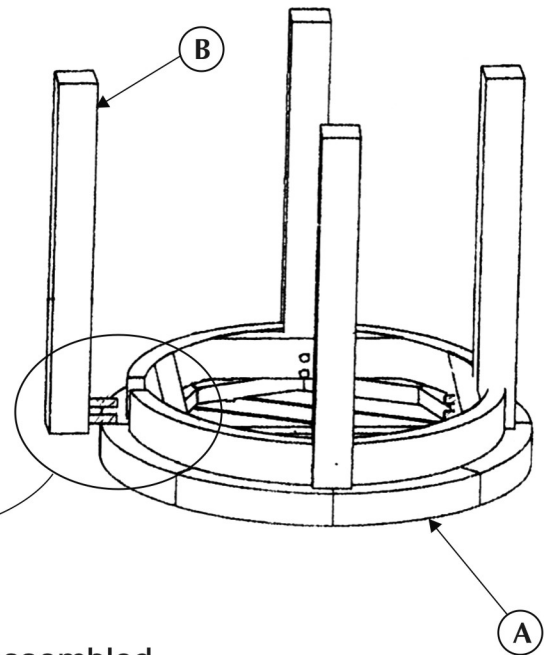
(A) Table Top - Qty 1



(B) Table Leg - Qty 4



Picture 1



Unassembled

**Assembly Instructions**

1. Start by placing table top (A) on assembly surface, underside facing up.
2. Attach each table leg (B) to a corner joint of table top (A) by inserting both leg bolts through holes (picture 1).
3. Secure each table leg (B) by first placing one flat washer (#1), one lock washer (#2) and one nut (#3) on each leg bolt. Hand tighten each nut complete, making sure each leg is squarely positioned.
4. Next, tighten each nut with the wrench provided, approximately one full turn past snug. **Important:** Both nuts (#3) of each table leg (B) should be tightened evenly, tightening each nut one quarter turn at a time. **Do not over tighten.**
5. Upright table for use.

**Warning**

Parke Teak™ will not assume responsibility for damage if these instructions are not followed properly. If you have any questions, call Parke Teak™ at (800) 601-8325 or your nearest Parke Teak™ dealer.