

**Recommendations & Precaution - Prior to Assembly Completely Read Instructions**

Unpack, inspect and identify all components and assembly materials. Assemble on a flat, soft level surface to avoid marring the wood. We advise using the shipping box top as a convenient assembly surface. If marked, match all joints with the corresponding letters or numbers on each furniture piece. Tighten hardware evenly and do not over tighten. Do not move assembled table in the expanded position. Either action can cause damage and void warranty.

**Components**

- 1. Table Top (A) - Qty 1
- 2. Leg Assembly (B) - Qty 2
- 3. Cross Brace (C) - Qty 1
- 4. Leg Brace (D) - Qty 2

**Assembly Materials**

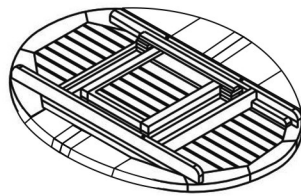
- 1. Long Wood Screw (#1) - Qty 4
- 2. Short Wood Screw (#2) - Qty 12
- 3. Wood Screw Hole Covers (#3) - Qty 12

**Tools Included**

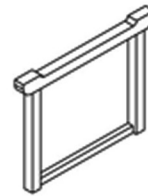
- 1. Wood Sanding Block/Mallet
- 2. Allen Wrench



Fully Assembled



(A) Table Top - Qty 1



(B) Leg Assembly - Qty 2

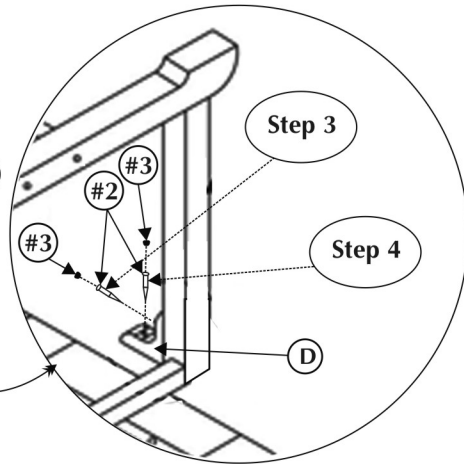
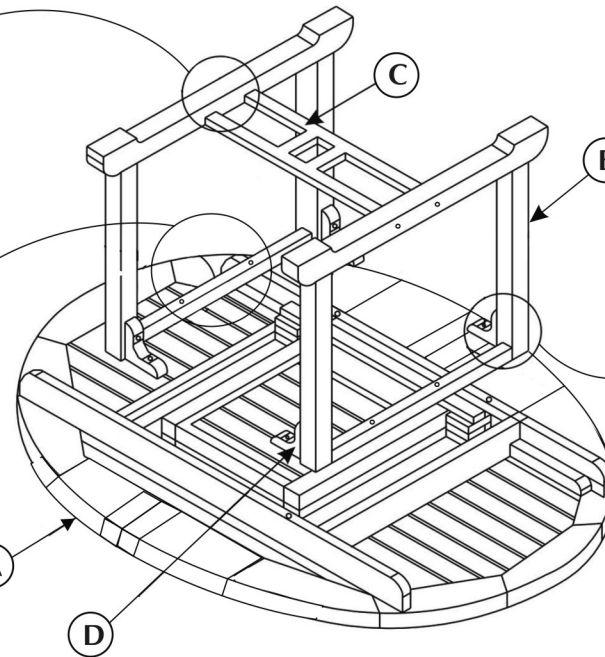
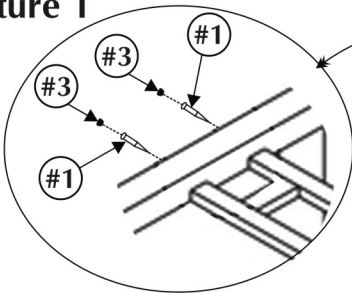


(C) Cross Brace (C) - Qty 1

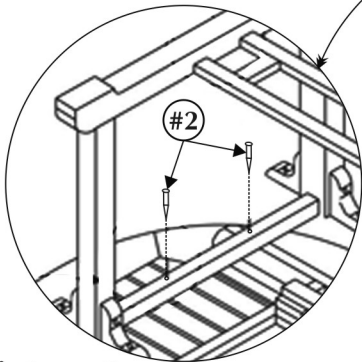


(D) Leg Brace - Qty 8

**Picture 1**



Picture 3



Picture 2

Unassembled

**Assembly Instructions**

1. Start by placing table top (A) on assembly surface, underside facing up.
2. Assemble both leg assemblies (B) in a parallel position joined together with cross brace (C). Secure with long screws (#1), (picture 1). Tighten all four screws snug. For all wood screws use the allen wrench provided or a power driver with a 4mm allen bit. **Do not over tighten.**
3. Next, attach all four leg braces (D), (picture 3) to the newly assembled leg unit (in step 2) using four short screws (#2). Leave open the screws in the leg braces (D) needed to attach to table top in step 4.
4. Attach completed leg assembly from steps 2 and 3 above to the table top frame (A), using two short screws (#2) per side, (picture 2) and the other open four screw holes in the leg braces (one open hole per leg brace), (picture 3).
5. Insert the wood screw hole covers (#3) behind each screw in the screw holes in pictures 1 and 3. Wood screw hole covers (#3) are not needed for the four screw holes in picture 2.
6. Carefully upright the fully assembled table. Make sure all packaging is removed from the extension leaf. Move table to desired location before extending leaf.
7. **To operate leaf extension:** Unlock all underside table locks. To open table, stand at each end of table and firmly pull each end. Completely open ends before opening leaf. **Important:** The leaf slides sideways approximately 1" to clear locking studs from marring inner sides of table. Center the leaf and carefully rotate open the leaf. Lock leaf by closing each table end. Using underside locks, lock leaf into place. **Never** move the table in expanded position. This may cause damage and void warranty. To close leaf, reverse this procedure.

**Warning**

Parke Teak™ will not assume responsibility for damage if these instructions are not followed properly. If you have any questions, call Parke Teak™ at (800) 601-8325 or your nearest Parke Teak™ dealer.