

**Recommendations & Precaution - Prior to Assembly Completely Read Instructions**

Unpack, inspect and identify all components and assembly materials. Assemble on a flat, soft level surface to avoid marring the wood. We advise using the shipping box top as a convenient assembly surface. If marked, match all joints with the corresponding letters or numbers on each furniture piece. Check all mortise (oval slot) and tenon (oval projection) joints for proper fit before assembly. To apply glue, spread a thin layer of glue to each tenon. Hammer dowels firmly and squarely. Hammering dowels with excessive force will cause damage to joints and void warranty.

**Components**

- 1. Table Top (A) - Qty 1
- 2. Table Leg (B) - Qty 4
- 3. Table Base (C) - Qty 1

**Assembly Materials**

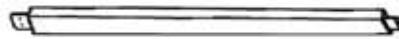
- 1. Wooden Dowel 30mm (#1) - Qty 8
- 2. Wood Screw (#2) - Qty 4

**Tools Included**

- 1. Sanding Block/Mallet
- 2. Allen Wrench
- 3. Sandpaper (Fine)
- 4. Glue



(A) Table Top - Qty 1



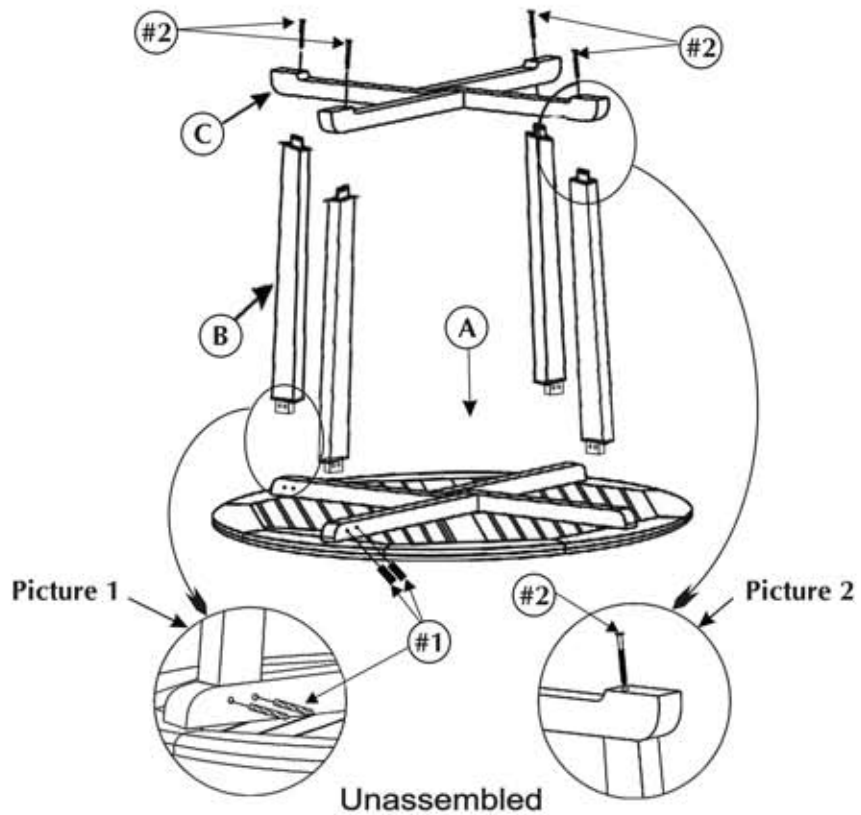
(B) Table Leg - Qty 4



(C) Table Base - Qty 1



Fully Assembled



Unassembled

**Assembly Instructions**

1. **Completely assemble** all table components before permanently securing any mortise and tenon joints with wooden dowels. Start by placing table top (A) on assembly surface with mortises facing up.
2. Next, glue and insert the tenons (the end with two dowel holes) of table legs (B) into their mortises of table top (A), (picture 1). **Legs should angle inward.**
3. Next, glue and insert the opposite tenons of table legs (B) into the mortises of table base (C), (picture 2). Secure by inserting screws (#2) through the bottom of table base (B), (picture 2). Tighten each screw with the allen wrench provided, approximately one full turn past snug.
4. Insert wooden dowels (tapered end first) into each dowel hole (picture 1) and firmly tap each dowel with the wooden mallet provided or a light weight hammer until seated (almost flush).
5. Sand wooden dowels flush with the sandpaper and sanding block supplied or a power sander.
6. Upright table for use.

**Warning**

Park Bench™ will not assume responsibility for damage if these instructions are not followed properly. If you have any questions, call Park Bench™ at (800) 601-8325 or your nearest Park Bench™ dealer.