

**Recommendations & Precaution - Prior to Assembly Completely Read Instructions**

Unpack, inspect and identify all components and assembly materials. Assemble on a flat, soft level surface to avoid marring the wood. We advise using the shipping box top as a convenient assembly surface. If marked, match all joints with the corresponding letters or numbers on each furniture piece. Check all mortise (oval slot) and tenon (oval projection) joints for proper fit before assembly. To apply glue, spread a thin layer of glue to each tenon. Hammer dowels firmly and squarely. Hammering dowels with excessive force will cause damage to joints and void warranty.

**Components**

- 1. Bench Side (A) - Qty 2
- 2. Backrest (B) - Qty 1
- 3. Bench Seat (C) - Qty 1
- 4. Front Cross Bar (D) - Qty 1
- 5. Back Cross Bar (E) - Qty 1

**Assembly Materials**

- 1. Wooden Dowel 45mm (#1) - Qty 12
- 2. Wooden Dowel 30mm (#2) - Qty 2
- 3. Wood Screw (#3) - Qty 8

**Tools Included**

- 1. Sanding Block/Mallet
- 2. Allen Wrench
- 3. Sandpaper (Fine)
- 4. Glue



(A) Bench Side - Qty 2



(B) Backrest - Qty 1



(C) Bench Seat - Qty 1



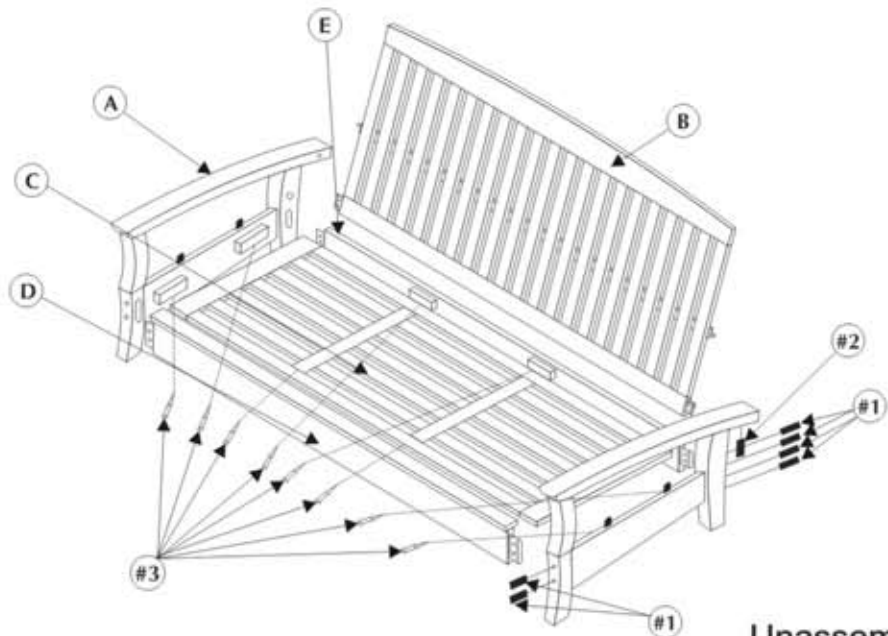
(D) Front Cross Bar - Qty 1



(E) Back Cross Bar - Qty 1



Fully Assembled



Unassembled

**Assembly Instructions**

1. **Completely assemble** all bench components before permanently securing any mortise and tenon joints with wooden dowels. Start by placing bench side (A) on assembly surface with mortises facing up.
2. Next, glue and insert both sides of the tenons of backrest (B), front crossbar (D) and back crossbar (E) into their mortises of bench side (A).
3. Next, without moving the partially assembled bench, repeat step 2 to attach the other bench side (A).
4. Next, carefully upright the partially assembled bench into normal seating position. Make sure all components are properly joined and aligned prior to permanent assembly with dowels. Insert wooden dowels (tapered end first) into each dowel hole and firmly tap each dowel with the wooden mallet provided or a light weight hammer until seated (almost flush).
5. Slide bench seat (C) from the side, under the armrest and into position of the assembled bench frame. Align dowels of bench sides (A) with dowel holes in bench seat (C). Secure the bench seat (C) with screws (#3) through the wooden block supports of bench sides (A) and into the bench seat (C). With the allen wrench provided, approximately tighten one full turn past snug.
6. Sand wooden dowels flush with the sandpaper and sanding block supplied or a power sander.

**Warning**

Park Bench™ will not assume responsibility for damage if these instructions are not followed properly. If you have any questions, call Park Bench™ at (800) 601-8325 or your nearest Park Bench™ dealer.