

Recommendations & Precaution - Prior to Assembly Completely Read Instructions

Unpack, inspect and identify all components and assembly materials. Assemble on a flat, soft level surface to avoid marring the wood. We advise using the shipping box top as a convenient assembly surface. If marked, match all joints with the corresponding letters or numbers on each furniture piece. Tighten hardware evenly and do not over tighten. Over tightening hardware will cause damage to the joints and void warranty.

Components

- 1. Bench Top (A) - Qty 1
- 2. Bench Leg (B) - Qty 4
- 3. Cross Leg (C) - Qty 2

Assembly Materials

- 1. Flat Washer (#1) - Qty 8
- 2. Lock Washer (#2) - Qty 8
- 3. Nut (#3) - Qty 8
- 4. Wood Screw (#4) - Qty 4

Tools Included

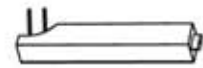
- 1. Allen Wrench
- 2. Flat Wrench



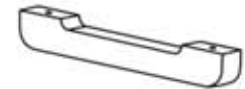
Fully Assembled



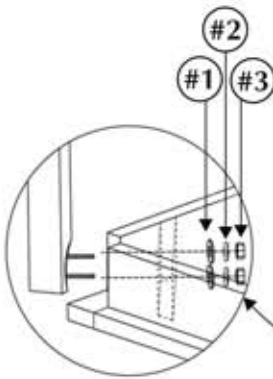
(A) Bench Top - Qty 1



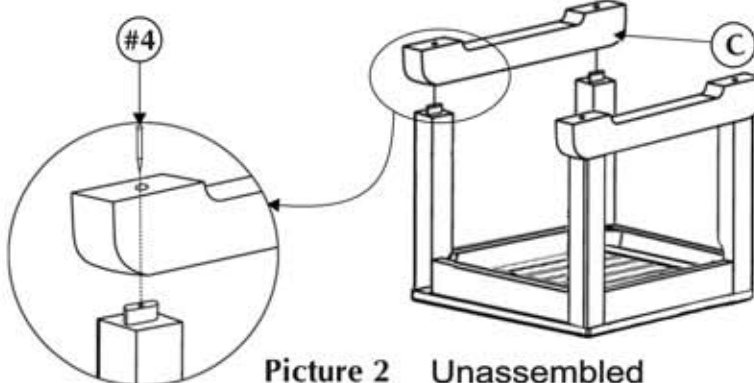
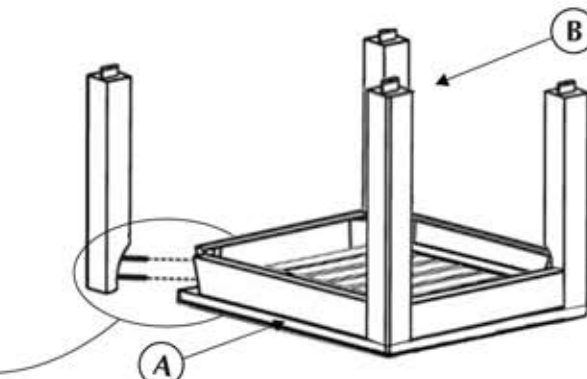
(B) Bench Leg - Qty 4



(C) Cross Leg - Qty 2



Picture 1



Picture 2 Unassembled

Assembly Instructions

1. Start by placing bench top (A) on assembly surface, underside facing up.
2. Attach each bench leg (B) to a corner joint of bench top (A) by inserting both leg bolts through holes (picture 1).
3. Secure each bench leg (B) by first placing one flat washer (#1), one lock washer (#2) and one nut (#3) on each leg bolt. Partially hand tighten each nut (#3), making sure each bench leg (B) is slightly moveable, but squarely positioned (picture 1).
4. Next, attach each mortise of cross leg (C) to their tenons of bench legs (B). Insert and tighten each screw (#4) with the allen wrench provided, approximately one full turn past snug (picture 2).
5. Finally, tighten each nut (#3), (picture 1) of bench leg (B) with the flat wrench provided, approximately one full turn past snug. **Important:** Both nuts (#3) of each bench leg (B) should be tightened evenly, tightening each nut one half turn at a time. Keep the legs square at all times. **Do not over tighten.**
6. Upright bench for use.

Warning

Park Bench™ will not assume responsibility for damage if these instructions are not followed properly. If you have any questions, call Park Bench™ at (800) 601-8325 or your nearest Park Bench™ dealer.