

Recommendations & Precaution - Prior to Assembly Completely Read Instructions

Unpack, inspect and identify all components and assembly materials. Assemble on a flat, soft level surface to avoid marring the wood. We advise using the shipping box top as a convenient assembly surface. If marked, match all joints with the corresponding letters or numbers on each furniture piece. Tighten hardware evenly and do not over tighten. Over tightening will cause damage to the joints and void warranty.

Components

- 1. Backrest (A) - Qty 1
- 2. Chair Base (B) - Qty 1
- 3. Chair Arm (C) - Qty 2
- 4. Chair Leg (D) - Qty 2
- 5. Foot Stool Base (E) - Qty 1
- 6. Foot Stool Leg (F) - Qty 2

Assembly Materials

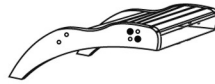
- 1. Brass Nut with Bolt (#1) - Qty 12
- 2. Brass Nut (#2) - Qty 8
- 3. Wood Screw (#3) - Qty 2
- 4. Bolt (#4) - Qty 2

Tools Included

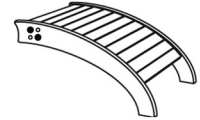
- 1. Allen Wrench
- 2. Glue



(A) Backrest - Qty 1



(B) Chair Base - Qty 1



(E) Foot Stool Base - Qty 1



(C) Chair Arm - Qty 2



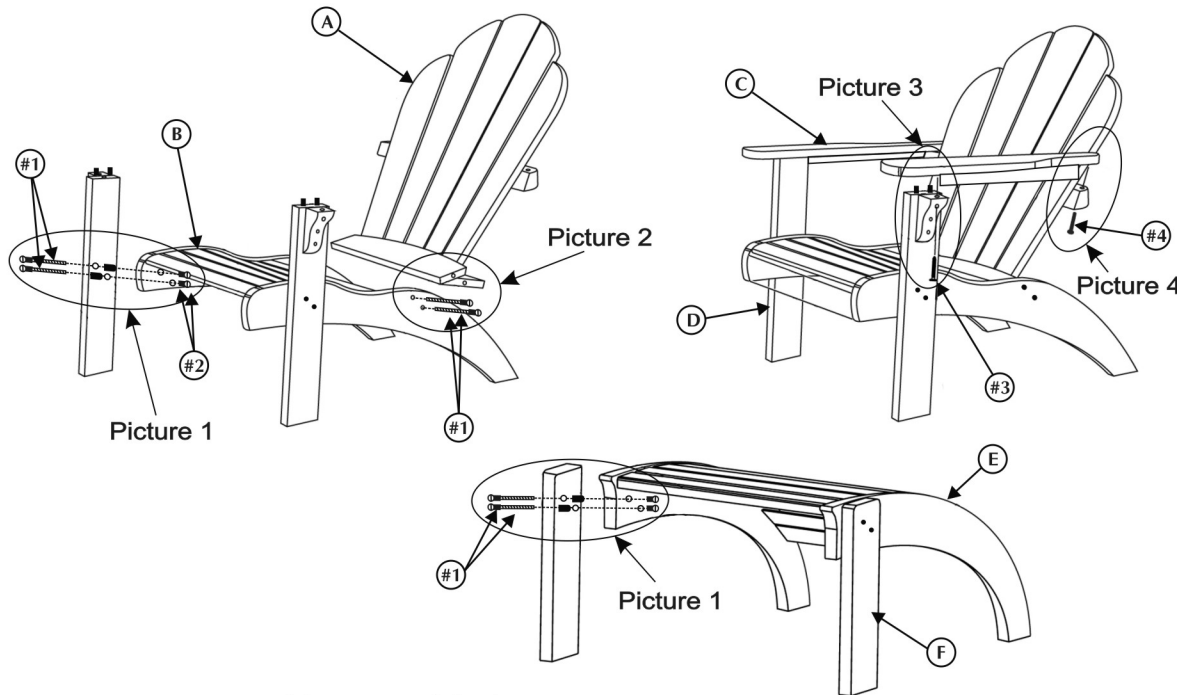
(D) Chair Leg - Qty 2



(F) Foot Stool Leg - Qty 2



Fully Assembled



Unassembled

Assembly Instructions

1. Place chair base (B) on assembly surface, on its side. Apply glue to the dowel holes in chair base (B), (the larger two holes). Next, insert the two dowels included in chair leg (D). Next, insert two brass nuts with bolts (#1) into the chair side (B) hole's and attach a brass nut (#2) to the end of each bolt (#4), (picture 1). Tighten with a standard screw driver approximately 3/4 turn past snug. **Do not over tighten.** Repeat the process for the other chair leg (D).
2. Repeat step 1 to attach both foot stool legs (F) to foot stool base (E), (picture 1).
3. Attach the backrest (A) to the chair base (B) with brass nuts and bolts (#1) into the female bolt hole in backrest (B), (picture 2). **Note:** to align holes, slightly angle backrest (A) backwards and slide into position of chair base (B). Hand tighten bolts to allow some movement for easy attachment/alignment of chair arm (C), in step 5.
4. Next, apply glue to the dowel holes in the front underside of chair arm (C). Align the dowels in the assembled chair leg (D) with the newly glued chair arm (C). Secure chair arm (C) with a wood screw (#3) through the arm bracket (picture 3) with the allen wrench provided. Tighten approximately 3/4 turn past snug.
5. Next, align the hole at the rear of chair arm (C), (picture 4) and secure with bolt (#4) until snug with the allen wrench provided. Repeat the process for the other chair arm (C).
6. Finally, tighten all four nuts from step 3 (picture 2) approximately 3/4 turn past snug. **Do not over tighten.**

Warning

Parke Teak™ will not assume responsibility for damage if these instructions are not followed properly. If you have any questions, call Parke Teak™ at (800) 601-8325 or your nearest Parke Teak™ dealer.