

Recommendations & Precaution - Prior to Assembly Completely Read Instructions

Unpack, inspect and identify all components and assembly materials. Assemble on a flat, soft level surface to avoid marring the wood. We advise using the shipping box top as a convenient assembly surface. If marked, match all joints with the corresponding letters or numbers on each furniture piece. Check all mortise (oval slot) and tenon (oval projection) joints for proper fit before assembly. To apply glue, spread a thin layer of glue to each tenon. Hammer dowels firmly and squarely. Hammering dowels with excessive force will cause damage to joints and void warranty.

Components

- 1. Chair Side (A) - Qty 2
- 2. Backrest (B) - Qty 1
- 3. Chair Seat (C) - Qty 1

Assembly Materials

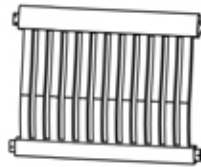
- 1. Wooden Dowel 28mm (#1) - Qty 4
- 2. Wooden Dowel 35mm (#2) - Qty 8
- 3. Wooden Dowel 40mm (#3) - Qty 2

Tools Included

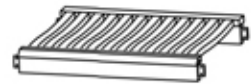
- 1. Sanding Block/Mallet
- 2. Sandpaper (Fine)
- 3. Glue



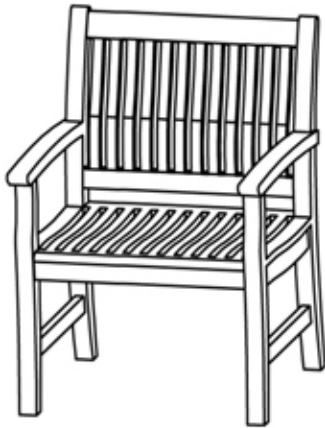
(A) Chair Side - Qty 2



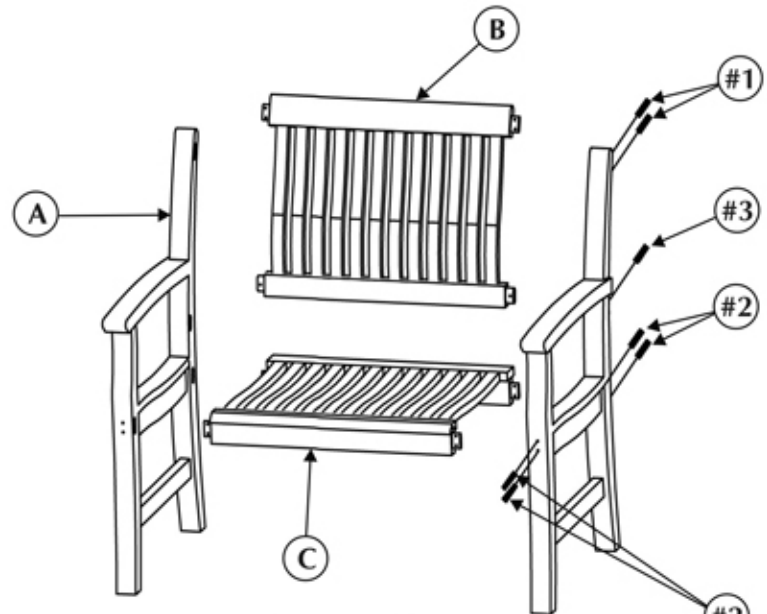
(B) Backrest - Qty 1



(C) Chair Seat - Qty 1



Fully Assembled



Unassembled

Assembly Instructions

1. **Completely assemble** all chair components before permanently securing any mortise and tenon joints with wooden dowels. Start by placing chair side (A) on assembly surface with mortises facing up.
2. Next, glue and insert one side of both the tenons of backrest (B) and chair seat (C) into their mortises of chair side (A).
3. Without moving the partially assembled chair, repeat step 2 to attach the other chair side (A).
4. Next, carefully upright the partially assembled chair into normal seating position. Make sure all components are properly joined and aligned prior to permanent assembly with dowels. Insert wooden dowels (tapered end first) into each dowel hole and firmly tap each dowel with the wooden mallet provided or a light weight hammer until seated (almost flush).
5. Sand wooden dowels flush with the sandpaper and sanding block supplied or a power sander.

Warning

Park Bench™ will not assume responsibility for damage if these instructions are not followed properly. If you have any questions, call Park Bench™ at (800) 601-8325 or your nearest Park Bench™ dealer.